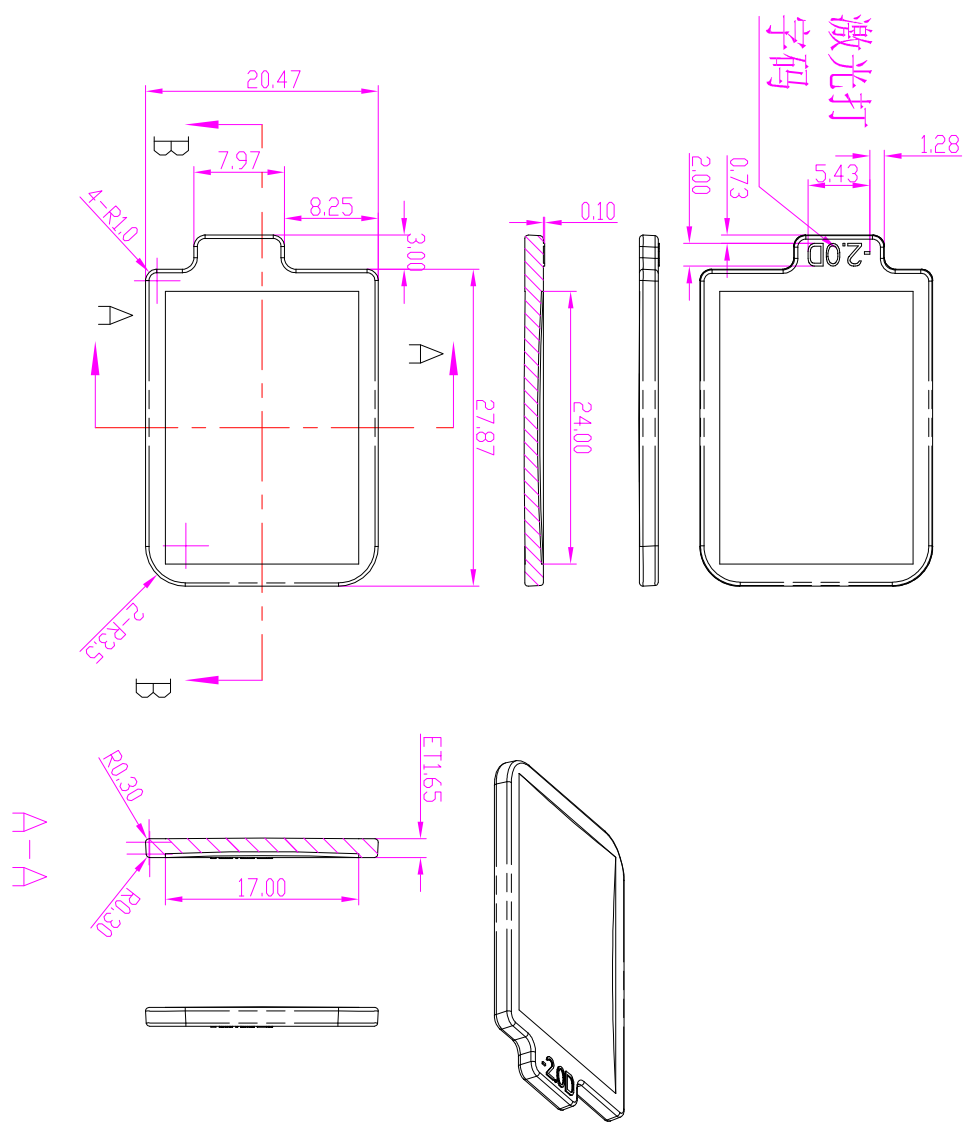
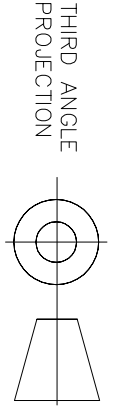


P/N	DESCRIPTION	DATE



DIFFRACTIVE OPTICS LTD. OWNS ALL THE INTELLECTUAL PROPERTIES OF THE OPTICAL DESIGN AND MANUFACTURING PROCESS OF THE ABOVE ITEMS, AND SHALL NOT BE DISCLOSED AND TRANSFERRED TO THIRD PARTIES WITHOUT THE WRITTEN CONSENT OF DIFFRACTIVE OPTICS LTD..

TOLERANCE EXCEPT WHERE OTHERWISE STATED
 X ±0.1
 .XX ±0.05
 UNSPECIFIED RADIUS R0.2



DRAWN BY : wangjr	SIGNATURE	DATE
CHECKED BY :		06/10/2007
APPROVED BY :		
Scale : 1.5:1	DIMENSION IN MILLIMETERS	

Part No : P4181	Diffractive Optics Ltd Unit 216 & 217, Photonics Centre, Hong Kong Science Park, N.T., Hong Kong.
Title: 模拟视觉近视镜片	
SHEET 1 OF 1	
Drawing No : DR-PR-P4181-00	

Material

PC